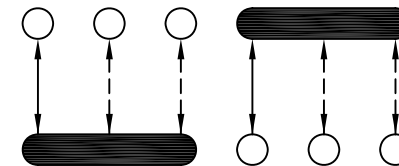
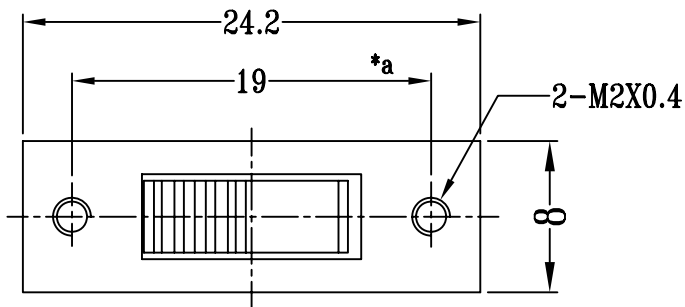
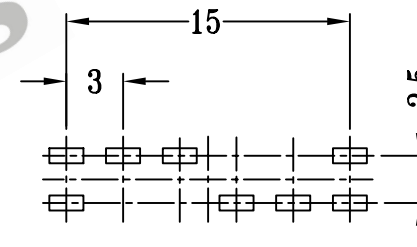
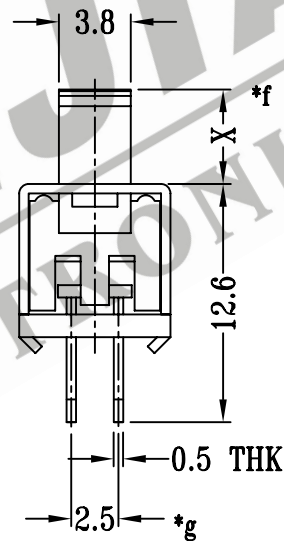
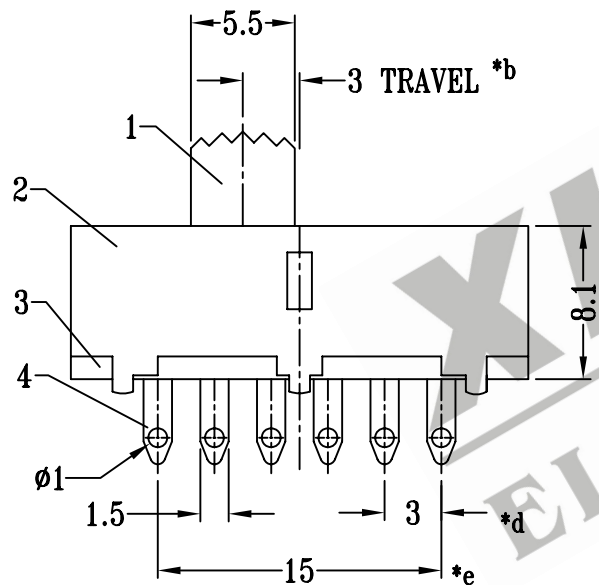


CAD FILE:



SCHEMATIC (SHORTING)



P.C.B LAYOUT

注：“*”表示关键尺寸（7个）

NO.	PARTS	MATERIALS	Q'TY	FINISH	TOLERANCE UNLESS SPECIFIED	SHENZHEN XIEJIA ELECTRONICS CO.,LTD.					
8						WITHIN: 1.5±0.1mm OVER: 1.5±0.2mm	ISSUE	DATE	DESCRIPTIONS OF REVISION		APPD.
7	STEEL BALL	STEEL	2	NATURAL							
6	SPRING	STEEL WIRE	3	TEMPER							
5	CONTACT (CLIP)	BRASS STRIP	2	Ag PLATED							
4	TERMINAL	BRASS STRIP	8	Ag PLATED OVER Ni PLATED	TITLE : VERTICAL SLIDE SWITCH	UNIT : mm	DRWG NO.: XJ-DR-SS23F02-00				
3	BASE	PHENOLIC RESIN	1	BLACK	MODEL: SS-23F02	SCALE: 5:2	DWN.	ZHOUYU	2001-7-17		
2	FRAME	STEEL STRIP	1	BLACK			CHK'D	FANGYING	2001-7-17		
1	KNOB	POM	1	BLACK	ALL MATERIALS MUST BE COMPLIANT TO ROHS		APPD.	KANGXINAN	2001-7-17		